

DSG-R&D Phoebus Meeting Minutes

Date: June 23, 2023

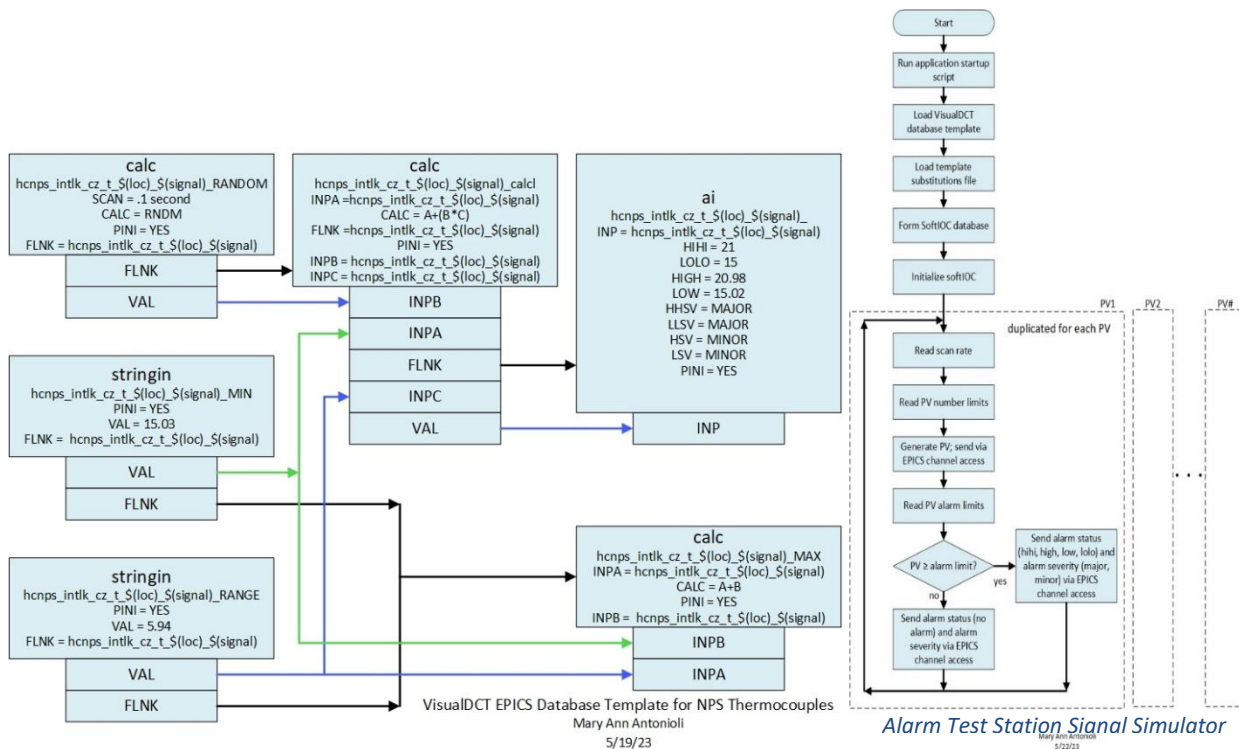
Time: 02:00PM – 02:30PM

Attendees: Peter Bonneau, Aaron Brown, Pablo Campero, Tyler Lemon, and Marc McMullen

1. Alarm test system PV simulator

Peter Bonneau

- Discussed development of alarm test system PV simulator
 - Simulator will be used to develop and test Phoebus applications, including the alarm system
 - Developed and tested VisualDCT thermocouple template for alarm test system
 - The template and a text substitution file forms an EPICS database at system boot that generates simulated signals
 - DSG Note 2023-23 *Detector Signal Simulator for Testing the Hall C Neutral Particle Spectrometer's Phoebus Alarm System*
 - Developing templates for simulating detector frame sensors (temperature and humidity) and the crystal zone cooling circuit
 - Templates store the initial EPICS alarm limits



2. PV save and restore for applications using Phoebus

Peter Bonneau and Aaron Brown

- Save and restore is used to set EPICS alarm levels for the alarm test system; also needed for reboot of IOCs on NPS
- Discussed development of a Python-based save and restore program
- Phoebus collaboration is developing an updated save and restore program